

DIAGRAMS FOR TYPICAL

500T/DAY

MECHANICAL, BIOLOGICAL TREATMENT PLANT

(MBT)

FROM

DGA Co Ltd

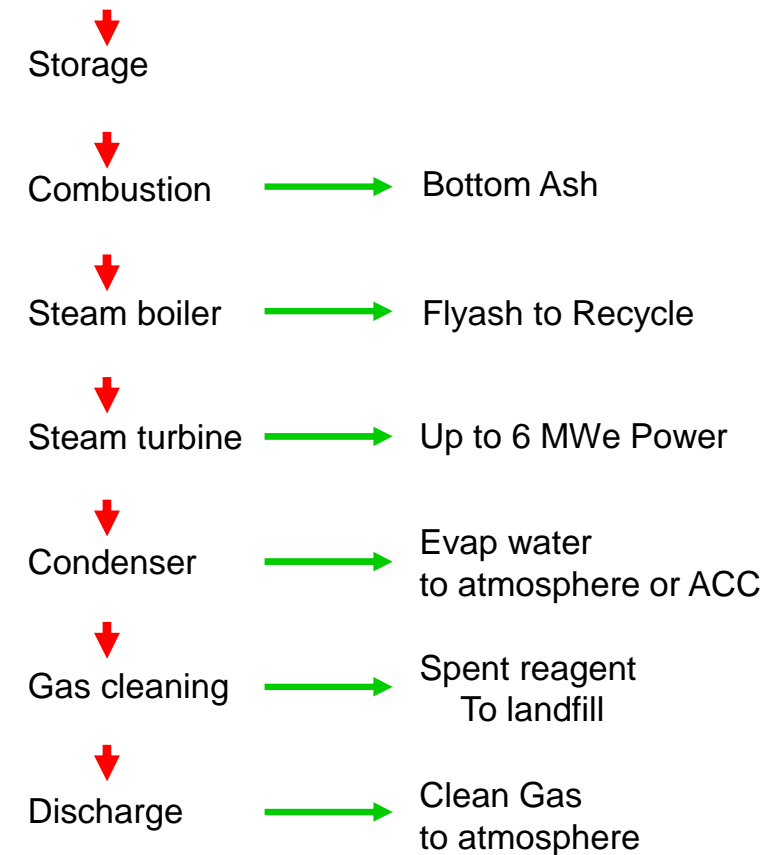


Material Recycling Facility (MRF)



RDF to Eco Waste Plant

Estimated 175 tn/day



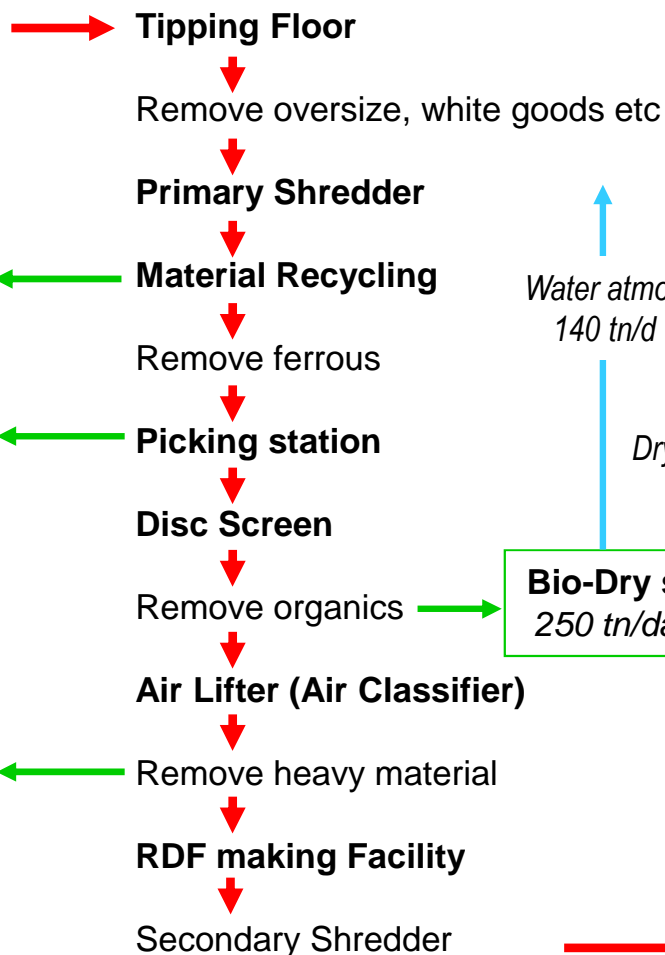
RDF TREATMENT SCHEMATIC

DGA ECO WASTE PLANT TO FIRE RDF ONLY

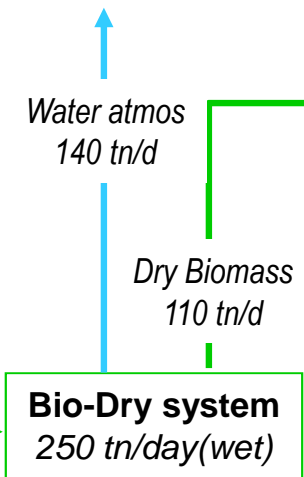


Material Recycling Facility (MRF)

Waste Delivery
c 500+ tn/day

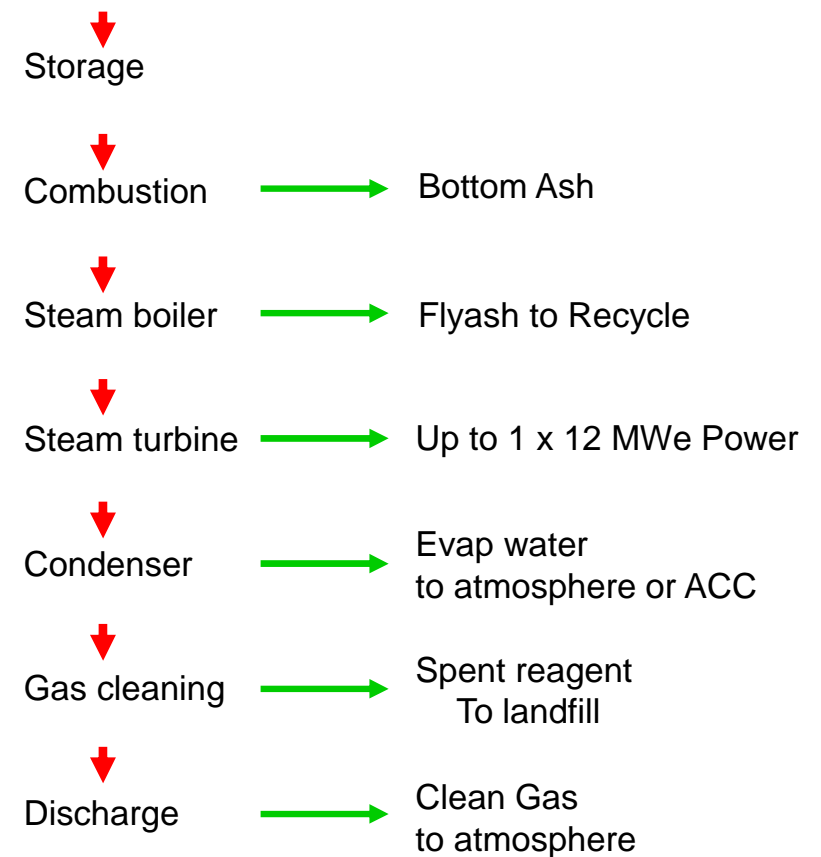


For sale
Ferrous
Non ferrous
PVC
Valuables
Quantity unknown



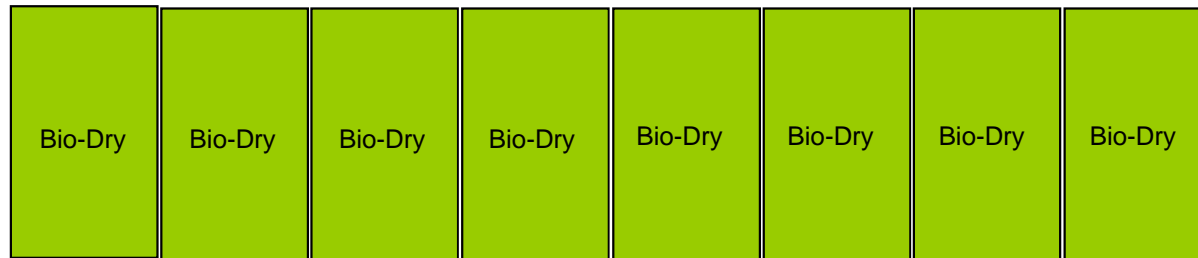
RDF to Eco Waste Plant

Estimated 175 tn/day

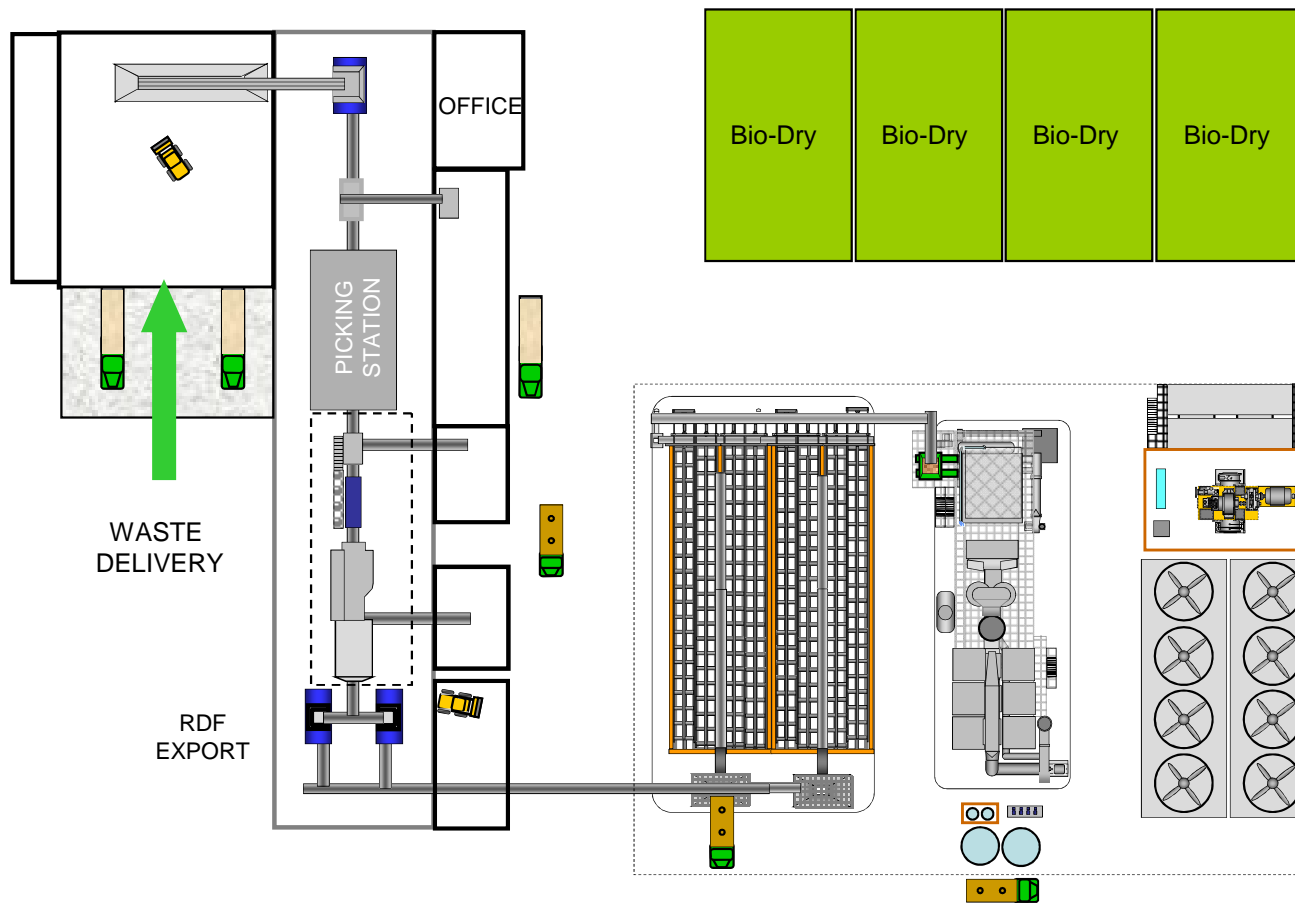


RDF TREATMENT SCHEMATIC

DGA ECO WASTE PLANT TO FIRE RDF AND DRIED BIOMASS REJECT



Each Bio-Dry section
Will contain 2 days
Arisings of biomass



Performance

Waste Delivery	550 tn/day
RDF Manufacture	175 tn/day
Recyclable	c 2%
Reject	c 10%
Biomass Reject	c 375 tn/day
Biomass Moisture	c 70%
Biomass MC after dry	c 20%
Biomass Reduce to	135 tn/day

**Potential Power Production from
550 tn/day - 12 MWe gross
+ ? MWe RDF sold**

DGA Eco Waste Plants combined with RDF Equipment and Bio-Drying